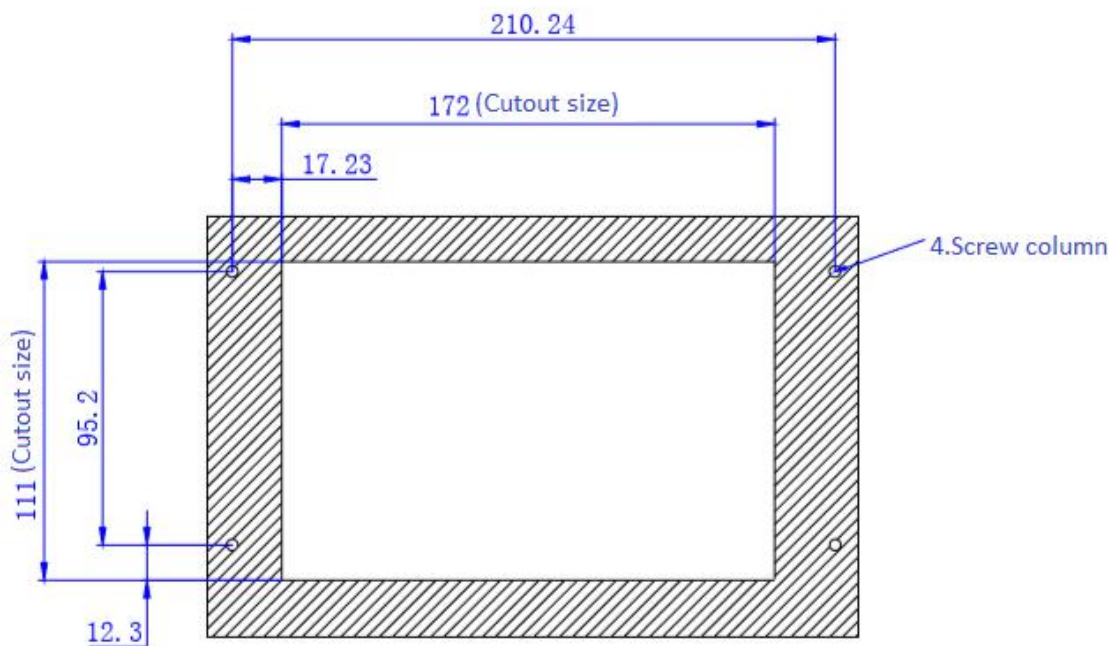


PI3070i-SL Installation Instruction

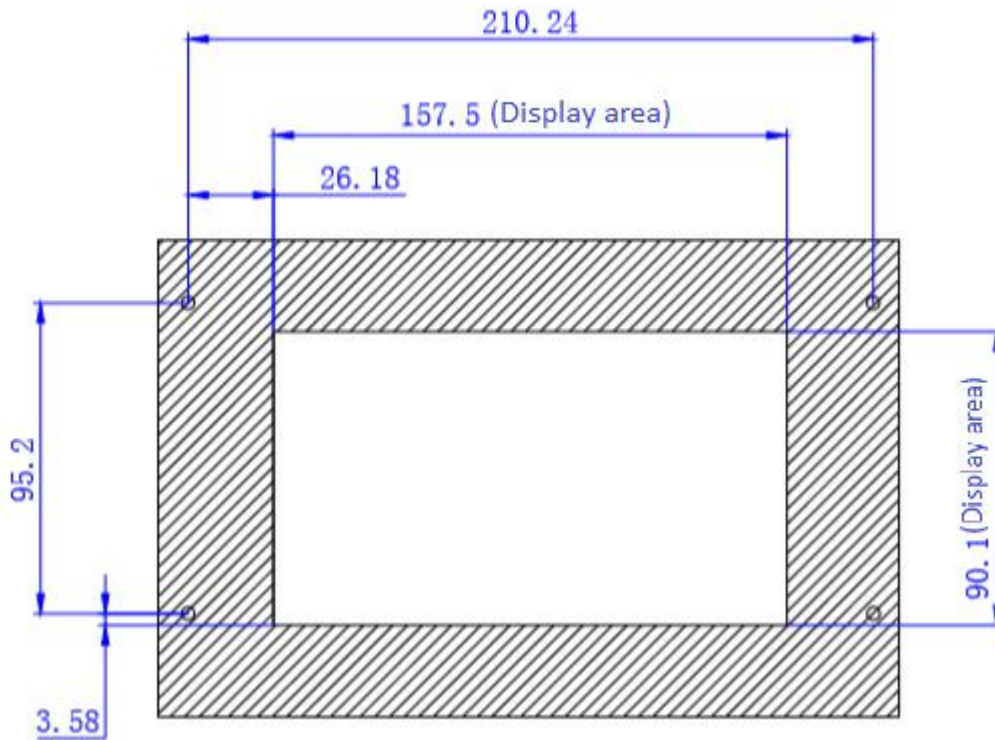
1. Panel thickness range: 1-3mm
2. Stud bolt: M3 size, the length should be less than 5mm.

The way that stud bolt is fixed to the panel. If it is welded, the height of the weld stack should be less than 1mm.

3. Cutout size and Stud bolt size

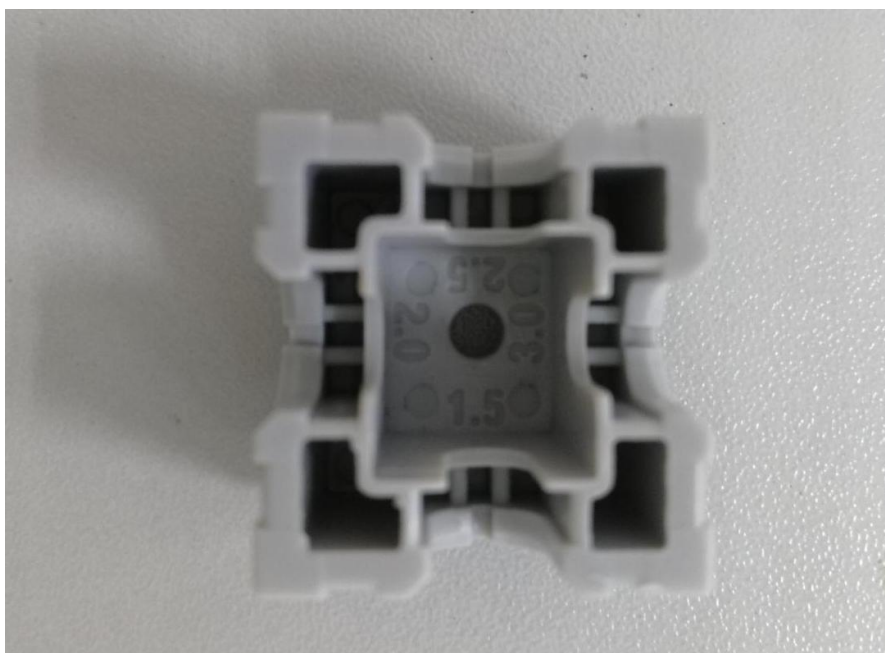


4. display area size of panel sticker:



5. The scale mark inside the terminal corresponds to the thickness of the panel.

For example, if the panel thickness is 3mm, the scale mark 3.0 is close to the front of this touch screen. (the scale mark is 1.5、2.0、2.5、3.0)



6. Products installation:

