

# WECON

## PI3070i

- One Series port, two communication ports supported. COM1:RS485/RS422; COM2:RS232
- Software: PISudio
- Faster in boot speed, screen switching speed and refresh speed.



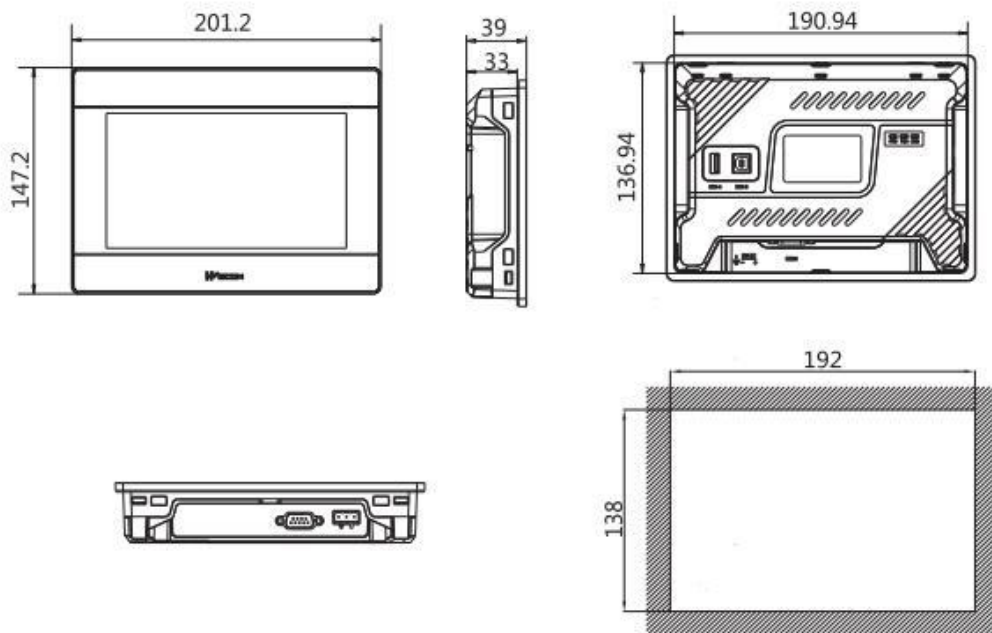
# SPECIFICATIONS

Item		PI3070i
CPU		Cortex A7 528MHz
Touch Screen		High precision four-wire resistive
Display	Screen	7 inch
	Resolution	800*480
	Brightness	250cd/m <sup>2</sup>

	Backlight	50,000 hours
	Colors	16,000k colors
Storage	FLASH	128M
	RAM	DDRIII 128MB
I/O ports	USB interface	USB Host+USB Client
	COM1	RS422/RS485
	COM2	RS232
	Ethernet	N/A
	CAN	N/A
Power Supply	Power Supply	24V DC (12~28V DC)
	Power	<8W
Dimension	Power Isolation	PC+ABS
	Dimension(*H*D)	201.2*147.2*39.0 mm
	Mounting size(W*H)	192.0*138.0mm

	Net / Gross Weight (kg)	0.51 / 0.74
Operation Environment	Protection	IP65 (Front panel)
	Storage environment	Storage: -20°C~70°C; Working: -10°C~60°C
	Working Environment	10~85%RH (Non-condensing)
	Seismic resistance	IEC61131-2 standard Continuous vibration occasion: 10Hz~57Hz 0.075mm, 57Hz~150Hz 9.8m/s <sup>2</sup> Discontinuous vibration: 10Hz~57Hz 0.035mm, 57Hz~150Hz 4.9m/s <sup>2</sup> X, Y, Z in 10 directions each (80 minutes)

Unit : mm , error range:±0.5mm



PI3070i installation size

**Contacts:**

**Email:** sales@we-con.com.cn

**Skype:** lily-wecon

**Tel:**+0086-591-87868869 ext 894